



الدرجة الاولى لتجارة معدات التعبئة والتغليف ذ م م
First Class Packing & Packaging Equipment Trading L L C



**PRODUCTS CATALOGUE
SS TANKS AND MIXERS**




SCAN ME



SCAN ME



 **Sharjah, Industrial Area 15 , Maliha Road**
 **Sales@fclassmachines.com**

 **+971523199077**





MIXING TANK



500LITRE /1000LITRE



300LITRE



225LITRE/125LITRE



30LITRE/50LITRE



L MIXING TANK WITH HEATER AND 100 TEMPERATURE CONTROLLER





**JACKETED MIXING
TANK**



- SS 316GNP STANDERED (INTERNAL)
- SS 304 (EXTERNAL)
- 300LITRE

**JACKETED STORAGE
TANK**



- SS 316GNP STANDERED (INTERNAL)
- SS 304 (EXTERNAL)
- 200LITRE

JACKETED AND INSULATED AS PER REQUIRMENT.





RIBBON BLENDER

500LTR HORIZONTAL MIXER



- 200LITRE
- 300LITRE
- 500LITRE

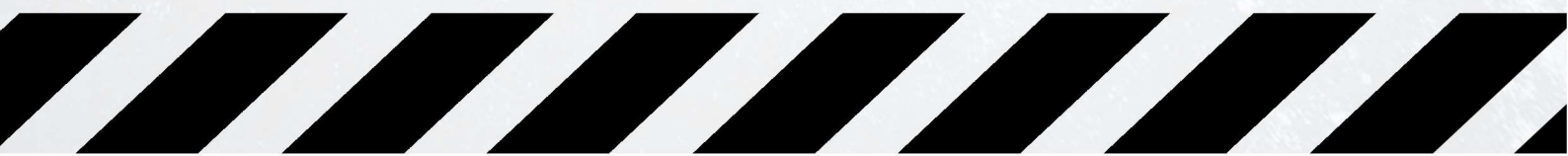
- MACHINE VOLUME (L) 500
- LOADING VOLUME (L) 350

300KGS STORAGE TANK



📍 Sharjah, Industrial Area 15 , Maliha Road
✉ sales@fclassmachines.com

☎ +971 523199077

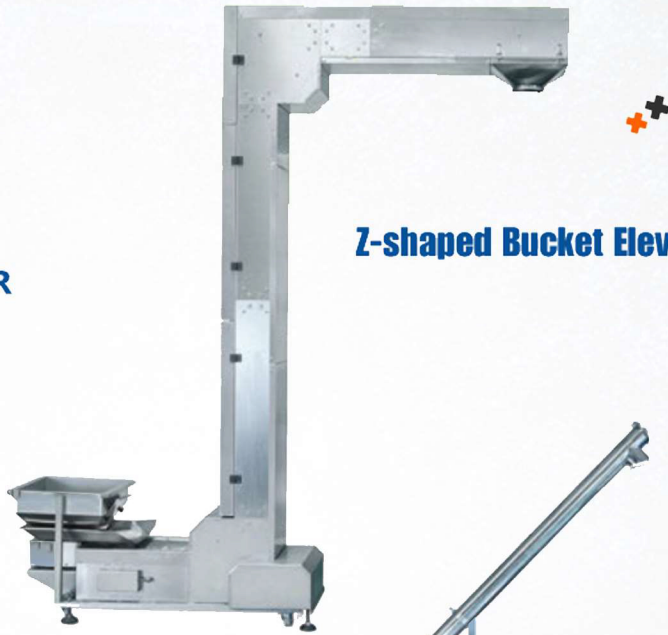




ACCESSORIES



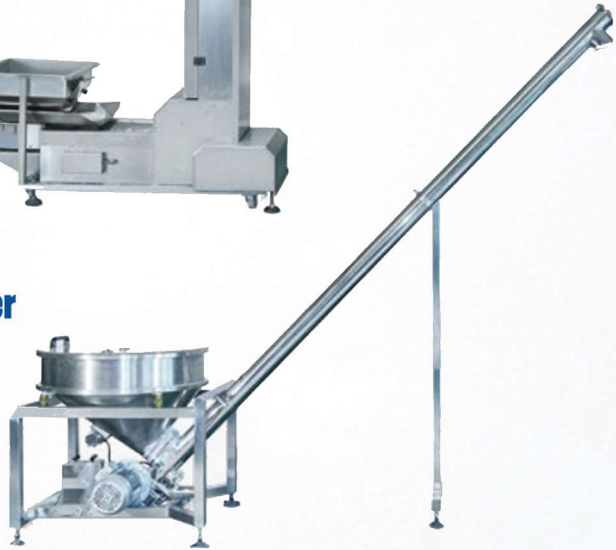
**PNEUMATICS
VACUUM FEEDER**



Z-shaped Bucket Elevator



Inclined Belt Conveyer



Auger Elevator





SPECIAL SYSTEMS



**COOKING TANK
VOLUME 300 LTR**



PROCESSING TANKS SYSTEM



**VACUUM HOMOGENIZER
MIXER**



JACKETED MIXER

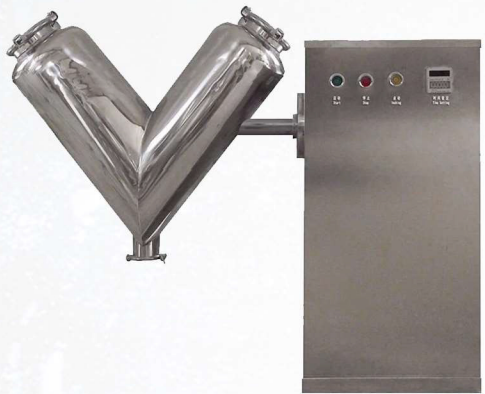
 **Sharjah, Industrial Area 15 , Maliha Road**
 **Sales@fclassmachines.com**

 **+971 523199077**





POWDER MIXER



V TYPE POWDER BLENDER



DOUBLE CONE DRY POWDER MIXER



DRY POWDER MIXING MACHINE

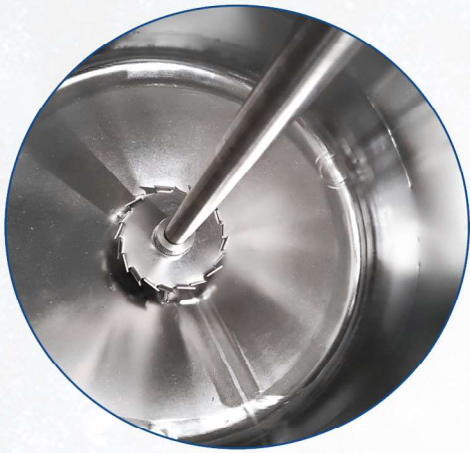


DRY POWDER BLENDER





HOMOGENIZER/DISPERSERS



HIGH SHEAR DISPERSING TANK



HIGH SHEAR HOMOGENIZER



IBC TOTE BRACKET MIXER



DRUM LID MIXER

 **Sharjah, Industrial Area 15 , Maliha Road**
 **Sales@fclassmachines.com**

 **+971 523199077**

